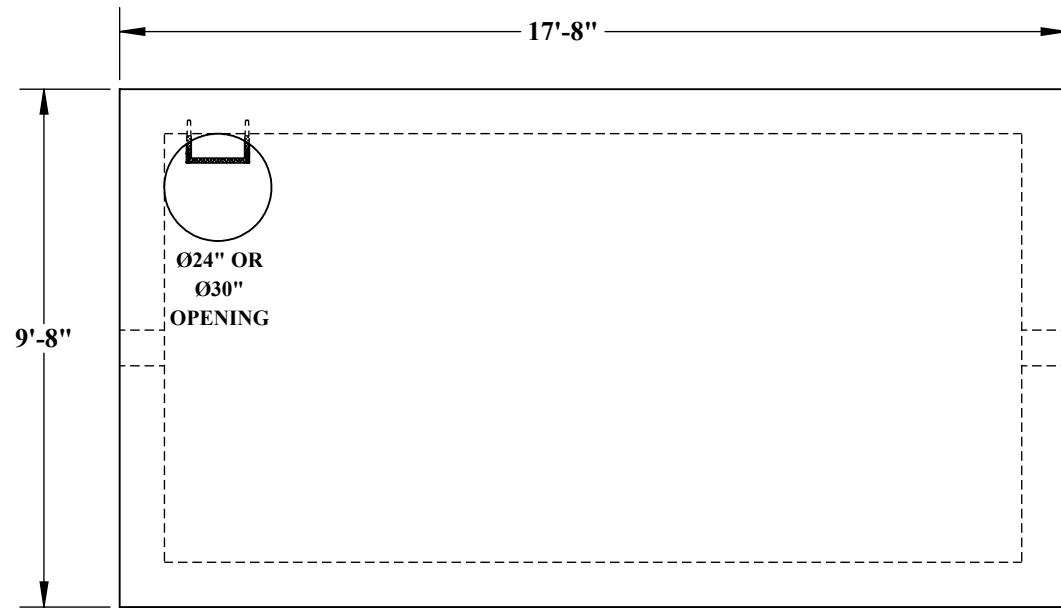


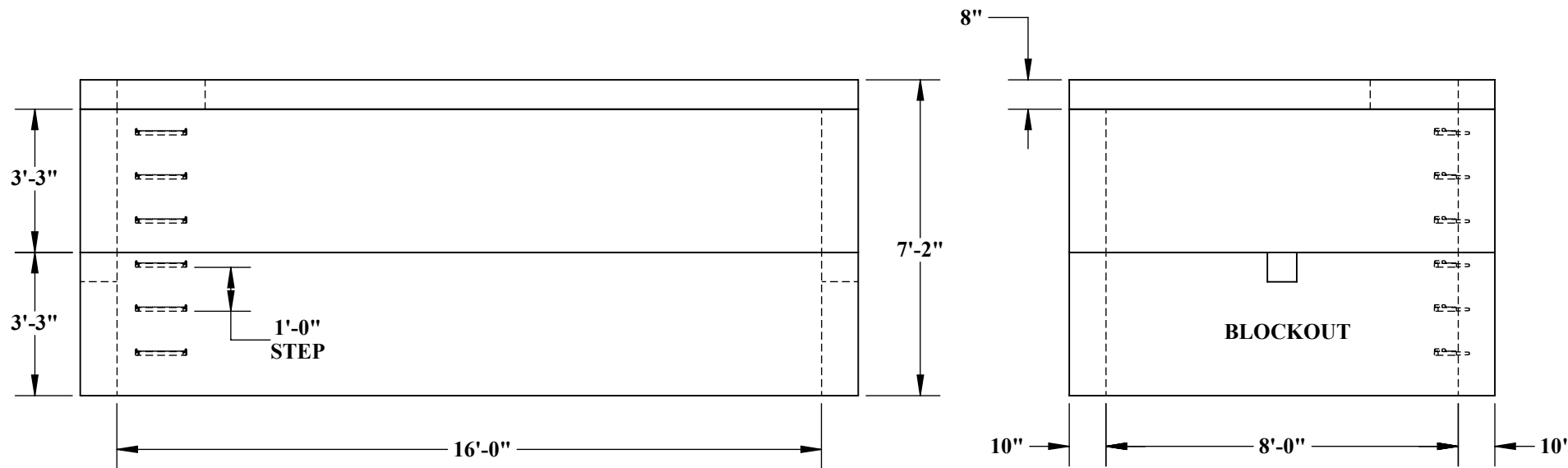
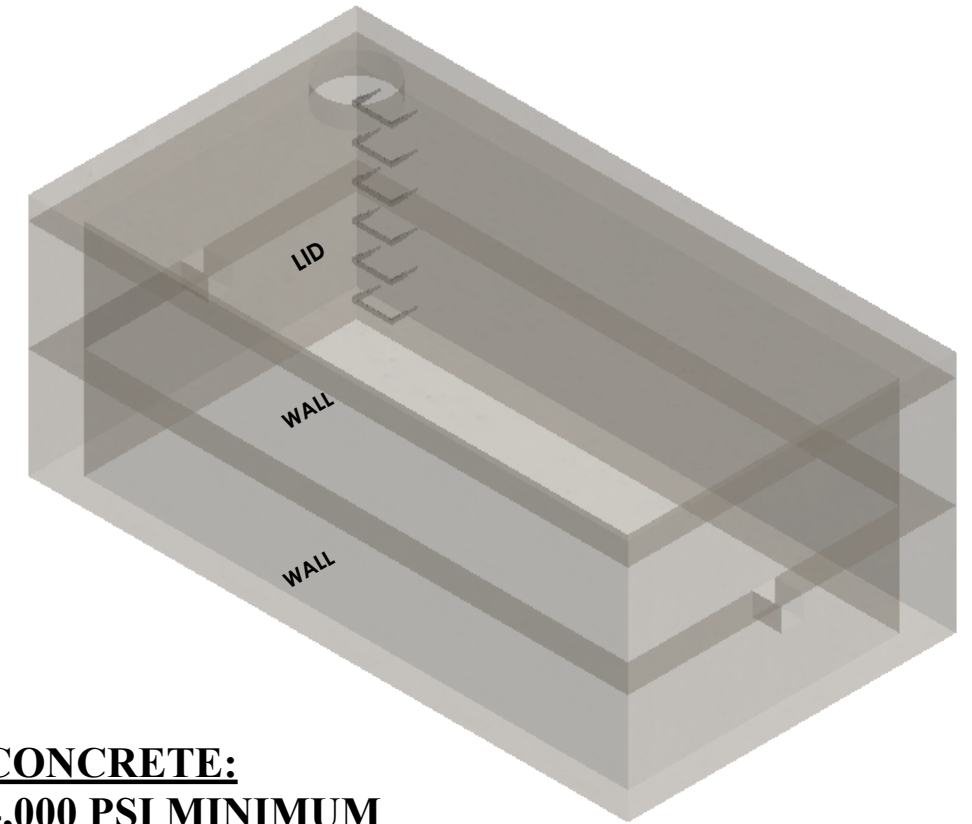


8'-0" x 16'-0" UTILITY VAULT



~ LID
- 16,765# (4.14 CU/YDS)

~ WALLS
- 20,860# (5.15 CU/YDS)



CONCRETE:
4,000 PSI MINIMUM

REINFORCEMENT:
LID - #6 @ 7" O.C. TRANSVERSE
#6 @ 10" O.C. LONGITUDINAL
WALLS - DOUBLE MAT
#4 @ 12" O.C. VERTICAL (BOTH MATS)
#5 @ 5" O.C. HORIZONTAL (BOTH MATS)

BLOCKOUT:
SIZES AVAILABLE UPON REQUEST



5204 NORTH STARR RD PO BOX 610
NEWMAN LAKE, WA 99025
(509) 226-5050
www.inwprecast.com



*ALL UTILITY VAULTS MEET
AND ARE CONSTRUCTED IN
ACCORDANCE WITH
ASTM C858