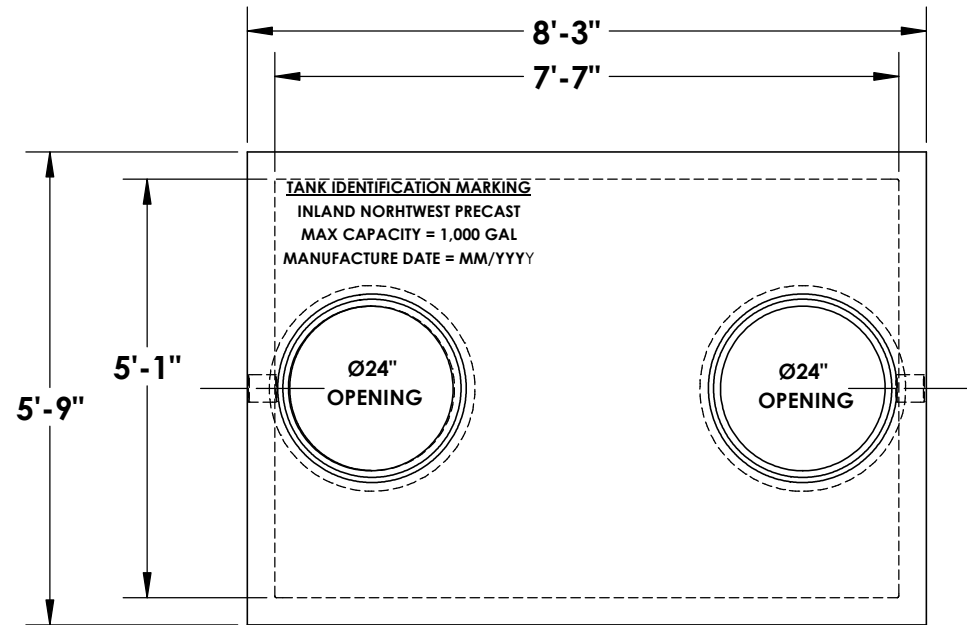
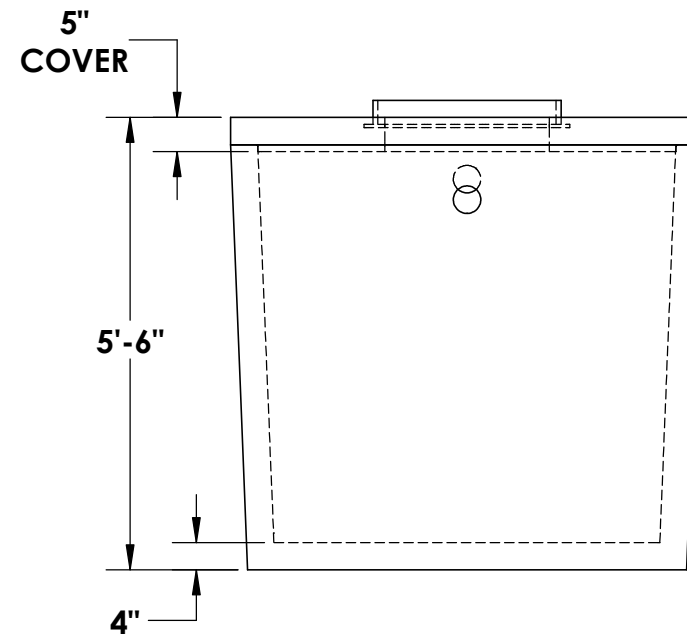
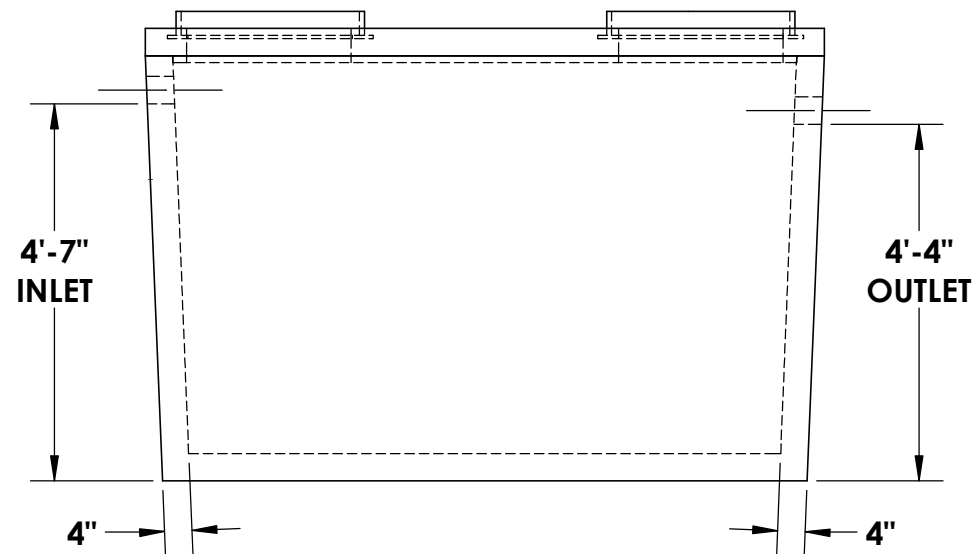
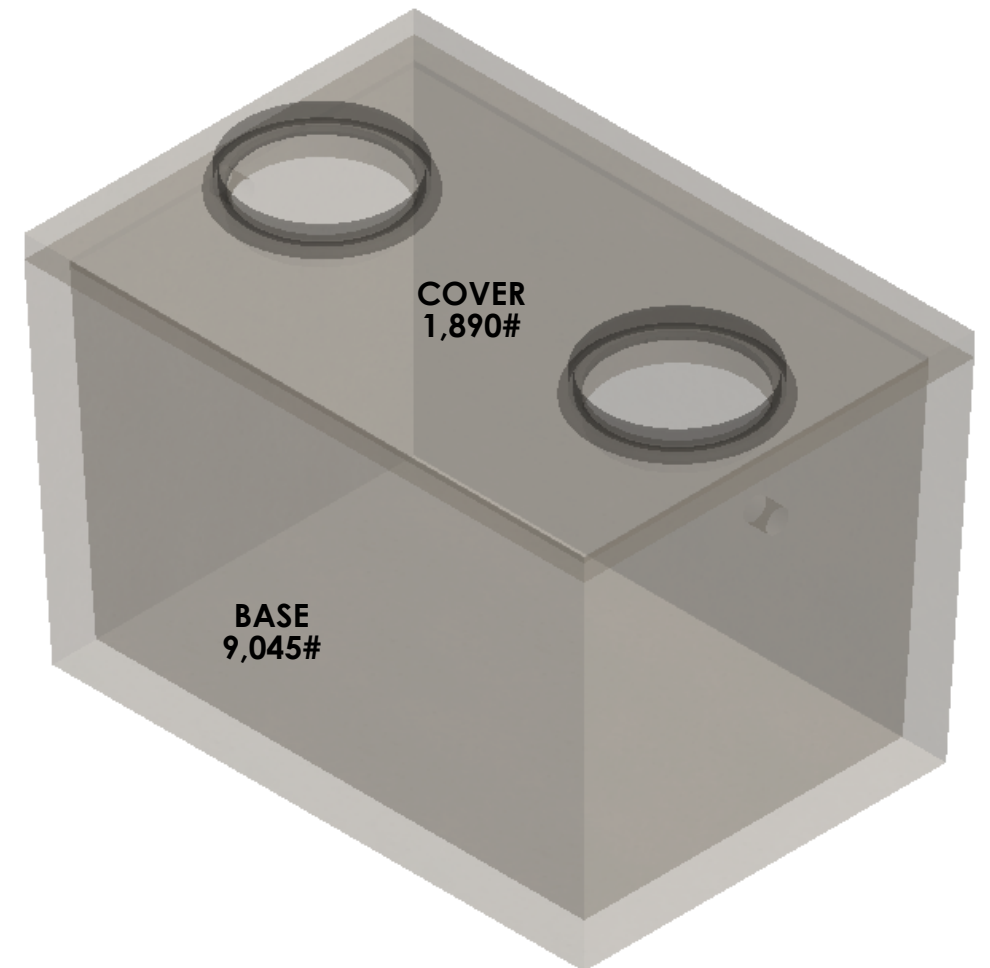




1000 GALLON SINGLE COMPARTMENT TANK W/ FLANGE ADAPTER



- * **CONCRETE:**
5,000 PSI MINIMUM
- * **RISER/FLANGE ADAPTERS:**
AVAILABLE UPON REQUEST



- NOTES:**
- ~ BEDDING MUST BE COMPACTED AND AREA AROUND TANK MUST BE BACKFILLED PRIOR TO PUTTING INTO SERVICE
 - ~ Ø4" PRESS SEAL BOOTS PROVIDED AT INLET
 - ~ STRUCTURAL ENGINEERING CALCULATIONS AVAILABLE UPON REQUEST
 - ~ 2-1/2" TAPER FROM TOP TO BOTTOM OF TANK



5204 NORTH STARR RD PO BOX 610
NEWMAN LAKE, WA 99025
(509) 226-5050
www.inwprecast.com



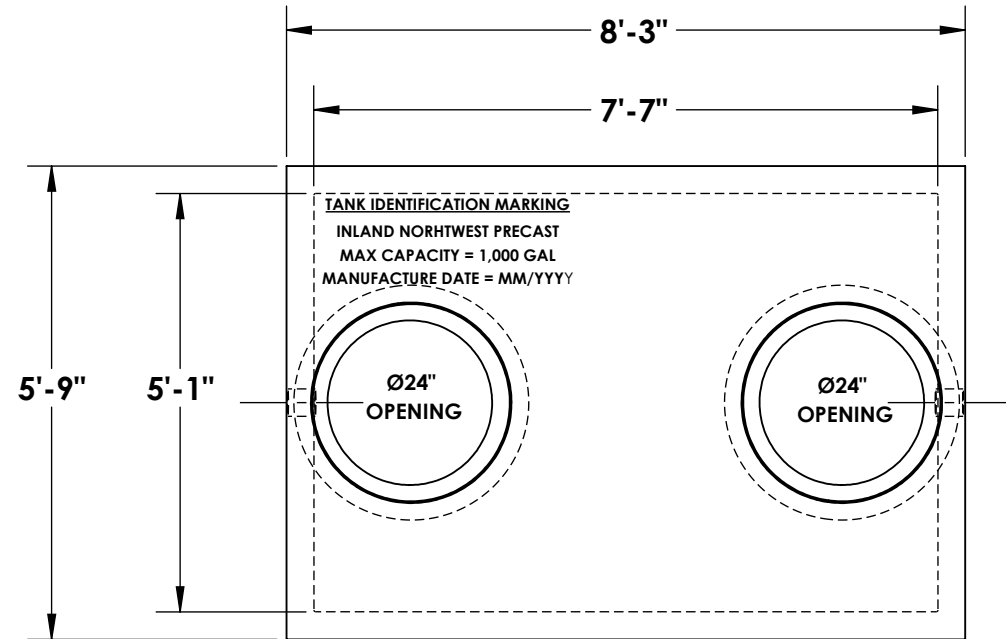
REINFORCEMENT

- COVER:**
- ~ TRANSVERSE #4 @ 6"
 - ~ LONGITUDINAL #4 @ 1'-0"
- BASE WALLS:**
- ~ 4x4W4xW4 WIRE MESH IN WALLS
- BASE FLOOR:**
- ~ TRANSVERSE #4 @ 9"
 - ~ LOGITUDINAL #4 @ 1'-0"

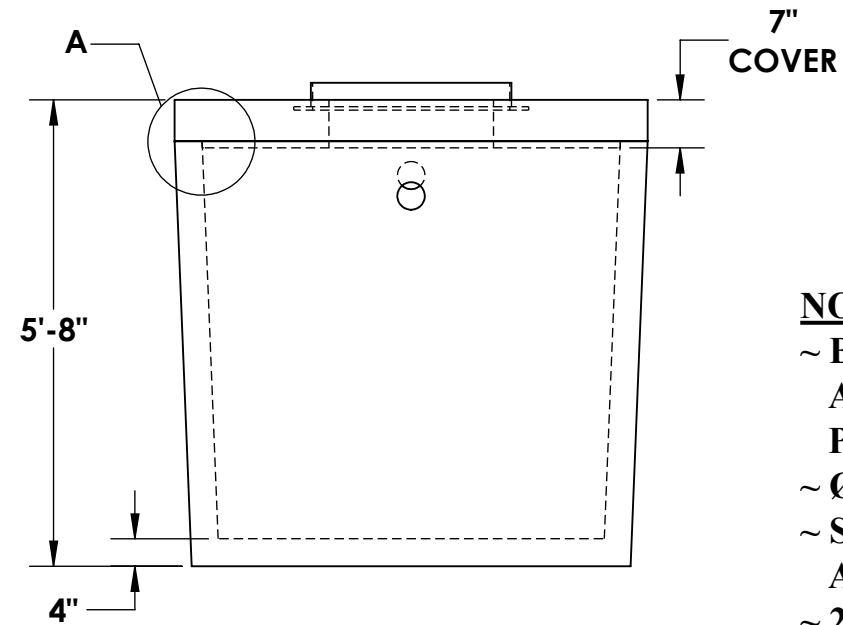
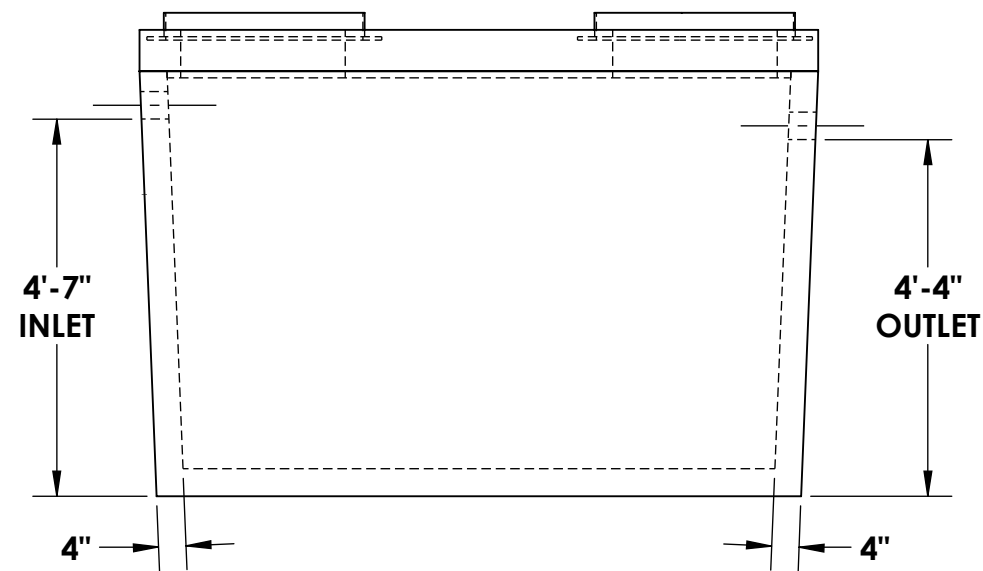
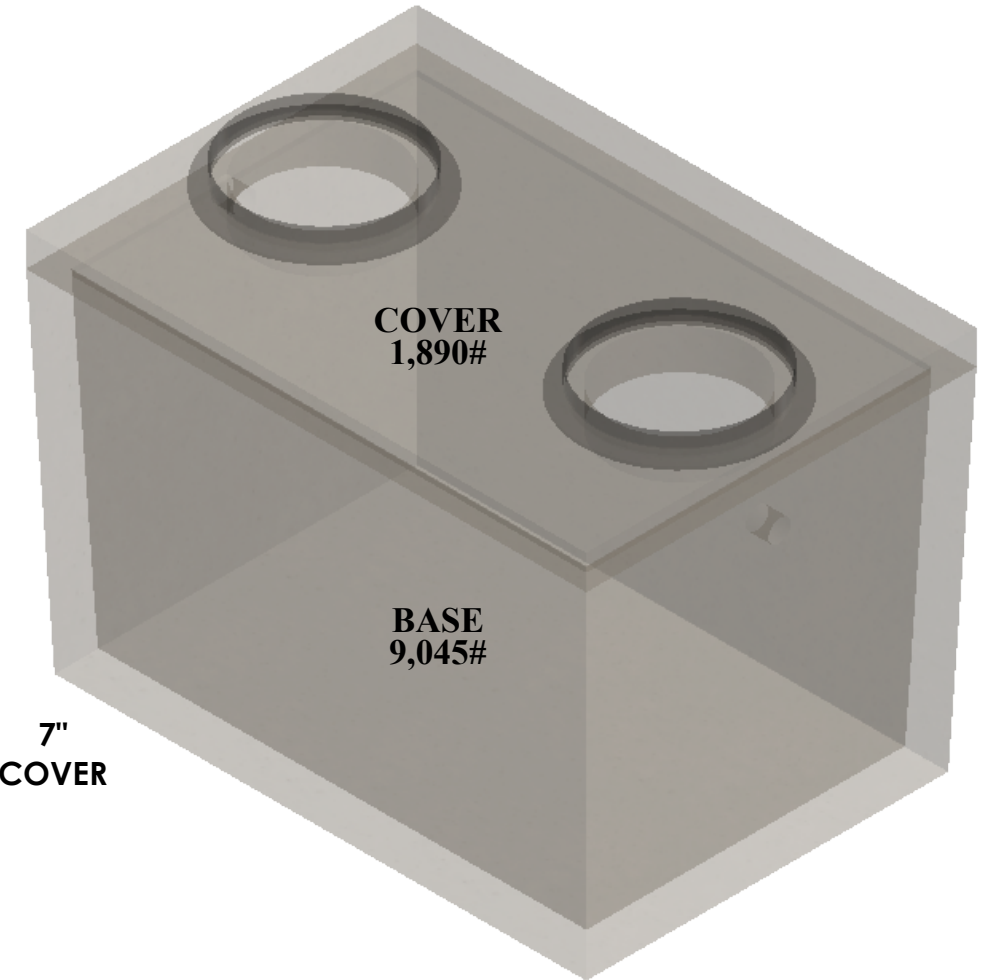
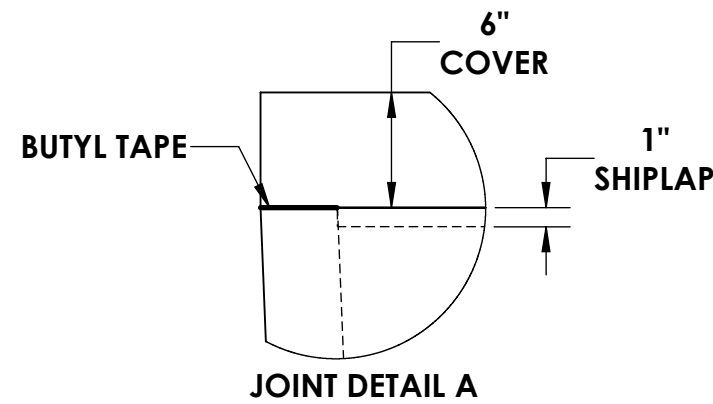
***ALL TANKS ARE MADE IN ACCORDANCE WITH ASTM C1227 - 13 (STANDARD SPECIFICATION FOR PRECAST CONCRETE SEPTIC TANKS)**



1000 GALLON SINGLE COMPARTMENT TANK - TRAFFIC RATED



- * **CONCRETE:**
5,000 PSI MINIMUM
- * **RISER/FLANGE ADAPTERS:**
AVAILABLE UPON REQUEST
- * **CONCRETE LIDS:**
AVAILABLE UPON REQUEST



NOTES:

- ~ BEDDING MUST BE COMPACTED AND AREA AROUND TANK MUST BE BACKFILLED PRIOR TO PUTTING INTO SERVICE
- ~ Ø4" PRESS SEAL BOOTS PROVIDED AT INLET
- ~ STRUCTURAL ENGINEERING CALCULATIONS AVAILABLE UPON REQUEST
- ~ 2-1/2" TAPER FROM TOP TO BOTTOM OF TANK



5204 NORTH STARR RD PO BOX 610
NEWMAN LAKE, WA 99025
(509) 226-5050
www.inwprecast.com



REINFORCEMENT

- COVER:**
~ TRANSVERSE #4 @ 6"
~ LONGITUDINAL #4 @ 1'-0"
- BASE WALLS:**
~ 4x4W4xW4 WIRE MESH IN WALLS
- BASE FLOOR:**
~ TRANSVERSE #4 @ 9"
~ LOGITUDINAL #4 @ 1'-0"

*ALL TANKS ARE MADE IN ACCORDANCE WITH ASTM C1227 - 13 (STANDARD SPECIFICATION FOR PRECAST CONCRETE SEPTIC TANKS)