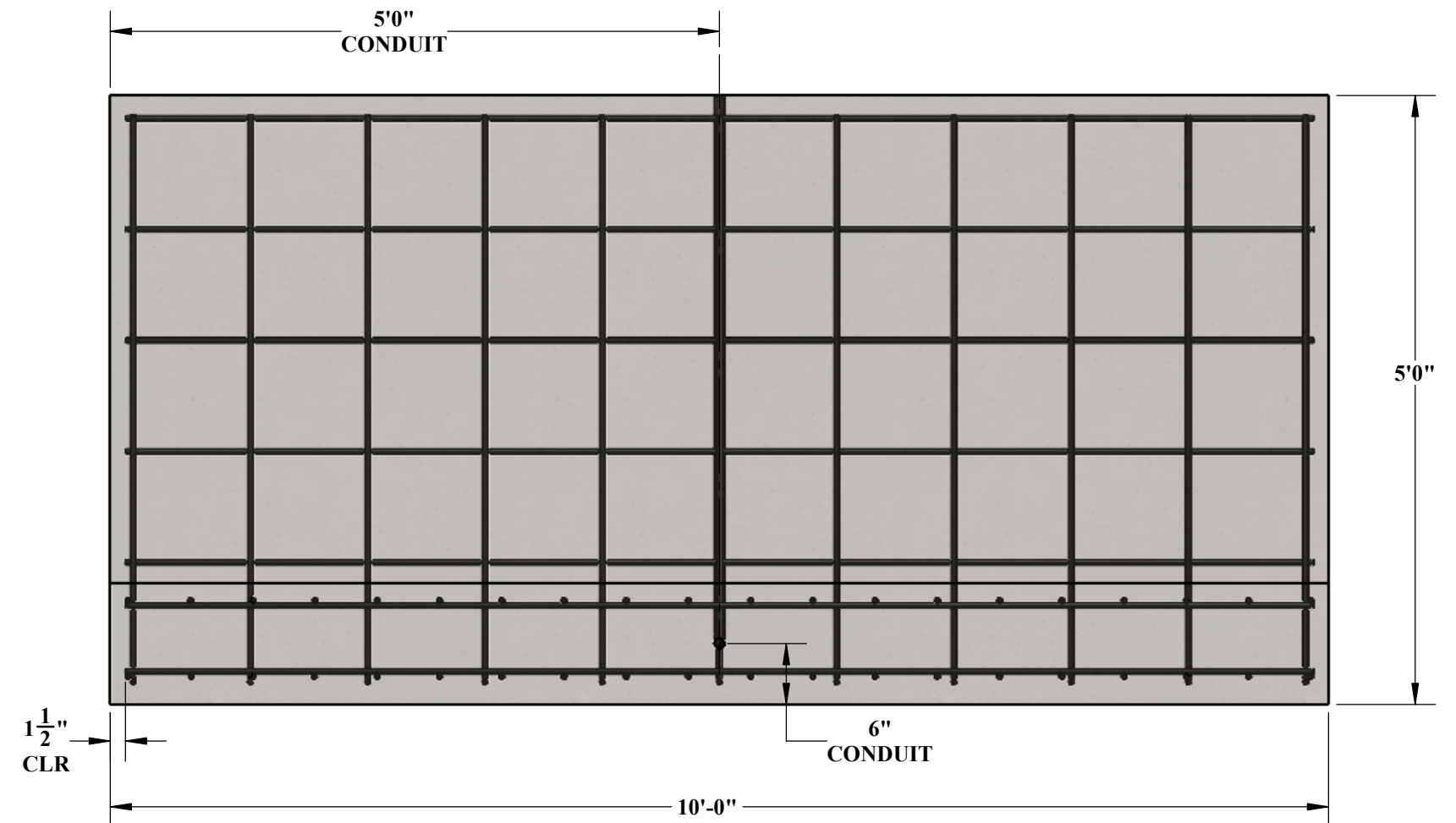
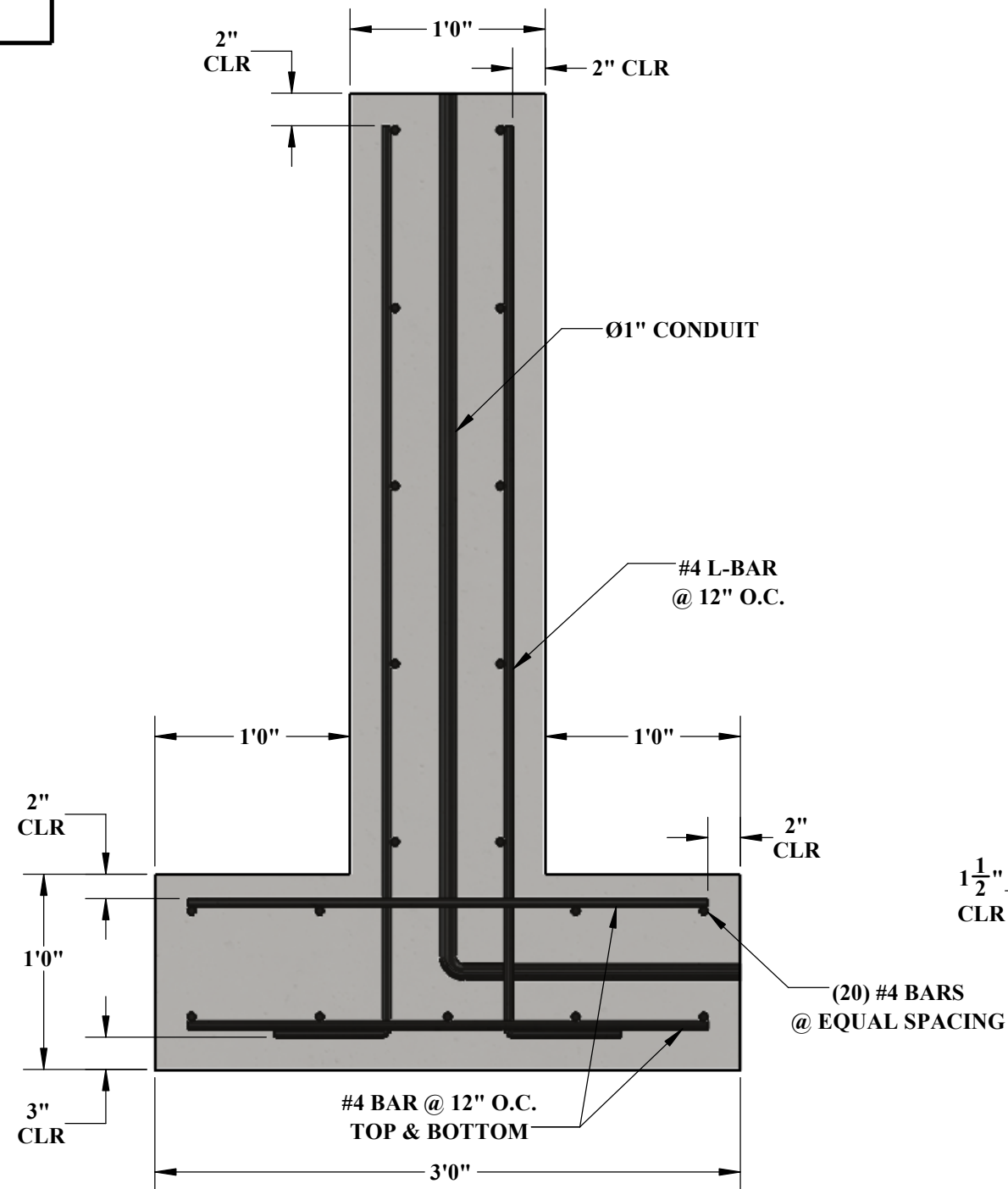




SIGN BASE

*CONCRETE
5,000 PSI MIN.



5204 NORTH STARR RD
NEWMAN LAKE, WA 99025
(509) 226-5050
www.inwprecast.com



REINFORCEMENT	PROJECT:
*SEE CALLOUTS ABOVE	

CONTRACTOR:	DATE:

